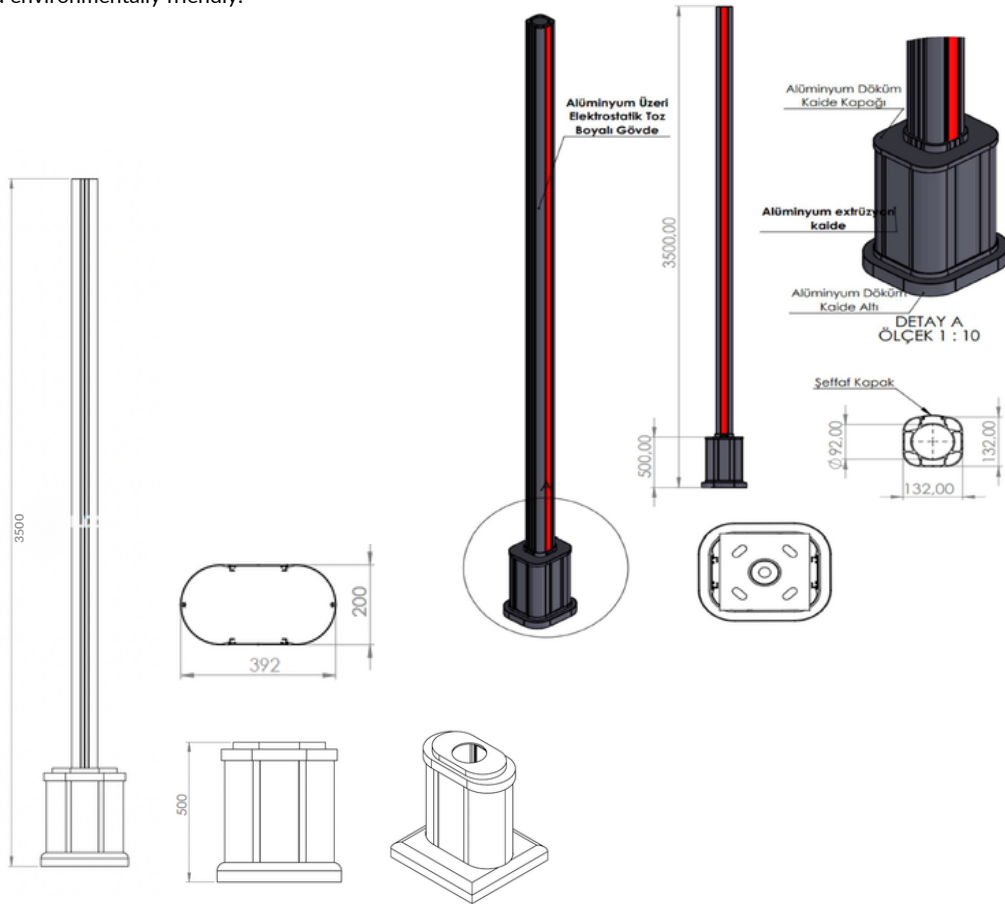


SINYAL LED POLES

GPS-BASED LED STANDARD SIGNAL POLE

GPS-based LED poles offer smart, sustainable solutions for traffic management, safety, and public information through location-based control. With the GPS module inside the control unit, the system can verify its location, calculate sunrise and sunset times via satellite data, and automatically operate in different day and night modes. Sensor-supported lighting helps save energy, while adjustable brightness improves visibility during daylight and nighttime conditions. Integrated LED displays can also provide guidance, warnings, and emergency information, making urban areas safer, more efficient, and environmentally friendly.



TECHNICAL SPECIFICATIONS

Product Code ALGPS-2b

Housing Aluminum / Polycarbonate UV.

Impact Resistance IR3

Ingress Protection IP65

Operating Temperature -40 C to +60 C

Operating Voltage 170-265 V

On/Off Reaction. < 50 ms

Number of LEDs. Ultra-bright 5mm LEDs for red, yellow and green

Luminous Power (Cd). Min. 200 - Max 400

Maximum Power of LED Signals by Color. 75 Watt for Standard Pole, 150 Watt for Overhead Pole.

Power (Watts) 60-320 W/24 V

Total Harmonic Distortion. <10% Light Distribution 1 / 2.5

- Unparalleled color brightness
- Minimum spurious signal level
- Homogeneous light distribution
- High impact resistance
- Low harmonic distortion
- Minimum response time
- Colors and lights are visible no matter how far away
- Power factor > 0.9

