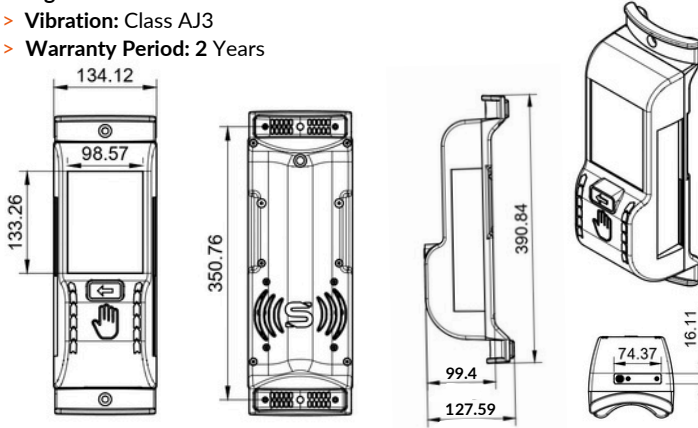


**TRAFFIC SAFETY PRODUCTS****SINYAL TACTUS ACCESSIBLE PEDESTRIAN BUTTON**

The TACTUS Sinyal Pedestrian Button is designed with a touchscreen, acoustic stimulation according to the ambient sound, in order to facilitate pedestrian and driver traffic safety. Signal Pedestrian Buttons can program the location of the intersection, human voice, and robot voice selection, according to the ambient sound or fixed stimulation sound and level selection via computer with its user-friendly and understandable programming interface

**GENERAL FEATURES;**

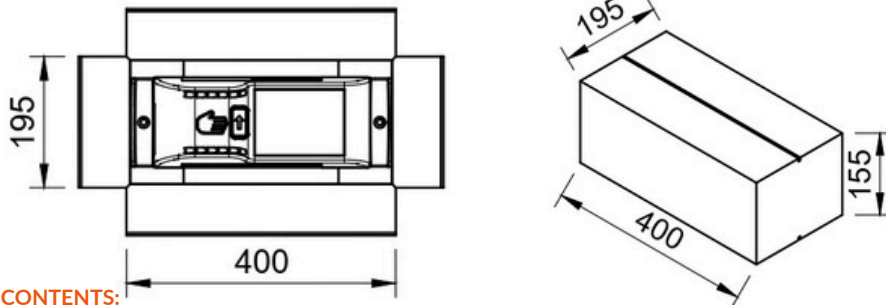
- > **Size:** 39\*13\*13cm
- > **Body:** Polycarbonate UV
- > **Body Color:** Yellow-Black
- > **Impact Resistance** IR3
- > **Ingress Protection:** IP66
- > **Vibration:** Class AJ3
- > **Warranty Period:** 2 Years

**TECHNICAL SPECIFICATIONS;**

- > **Operating Voltage:** 220V AC or 12V DC
- > **Operating Temperature:** -40°C to +70°C
- > **Working Time:** At least 8 hours on a full charge
- > **Power (Watt):** < 10 W
- > **Detection:** Touch Sensor
- > **Computer Interface:** Yes
- > **Acoustic Sound:** Location Information and Voice Warning
- > **Braille Alphabet:** Yes

**PACKAGING AND DELIVERY DETAILS;**

PRODUCT CODE	WEIGHT (kg)	BOX SIZE
SYB06	1.966kg	100cm

**BOX CONTENTS:**

- 1 pc Sinyal Tactus Accessible Pedestrian Button
- 1 pc Superman
- 4 pcs M3×10 HB Screws
- 2 pcs 5.5×135 Trapez Screws
- 1 pc Right Lego Set
- 1 pc Left Lego Set
- 1 pc Direction Arrow

